

Shop Blaster

The ultimate storage
and cooling solution.

Mechanics Bays
Repair Centers
Oil Change Centers
Garages
Workshops
and more.



KEEP YOUR COOL

with the industrial grade *Shop Blaster* workstation

This Storage / Cooling solution can be utilized anywhere professionals use tools to earn a living or spin a craft. The heavy duty Waterloo® 5 drawer toolbox is built to last, increase productivity and efficiency. Easily store, retrieve and organize professional tools and equipment while solving your cooling needs.

Storage & cooling solutions for your industry

flight bays
airplane hangers,
manufacturing areas,
maintenance areas,
open bay service shops,
garages,
tech & career schools,

Wherever hard-working professionals are using tools – in manufacturing, maintenance, vehicle repair and more – they're relying on the Shop Blaster to store, organize and secure the valuable investment they have in their tools.

They can also rely on the evaporative cooler to keep their environment cool and comfortable. Keep work areas and customer waiting areas up to 30 degrees F. cooler by using the effective & powerful evaporative air cooler. Studies by the Occupational Safety and Hazard Association (OSHA) show that worker productivity improves with cooler working environments.

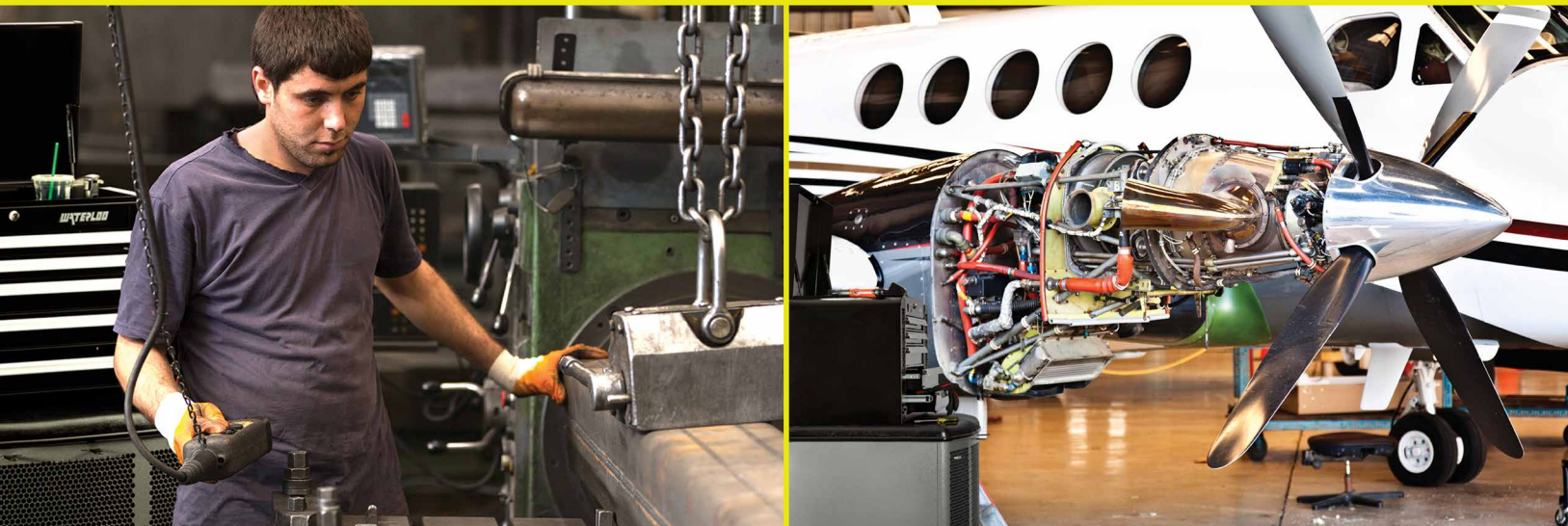
Why choose the shop blaster work station?

The Shop Blaster cools anywhere that air conditioning is cost prohibitive. This evaporative cooling process pulls warm air through the wetted evaporative cooling pad reducing temperatures as much as 30 degrees. This powerful ½ HP cooler is ruggedly

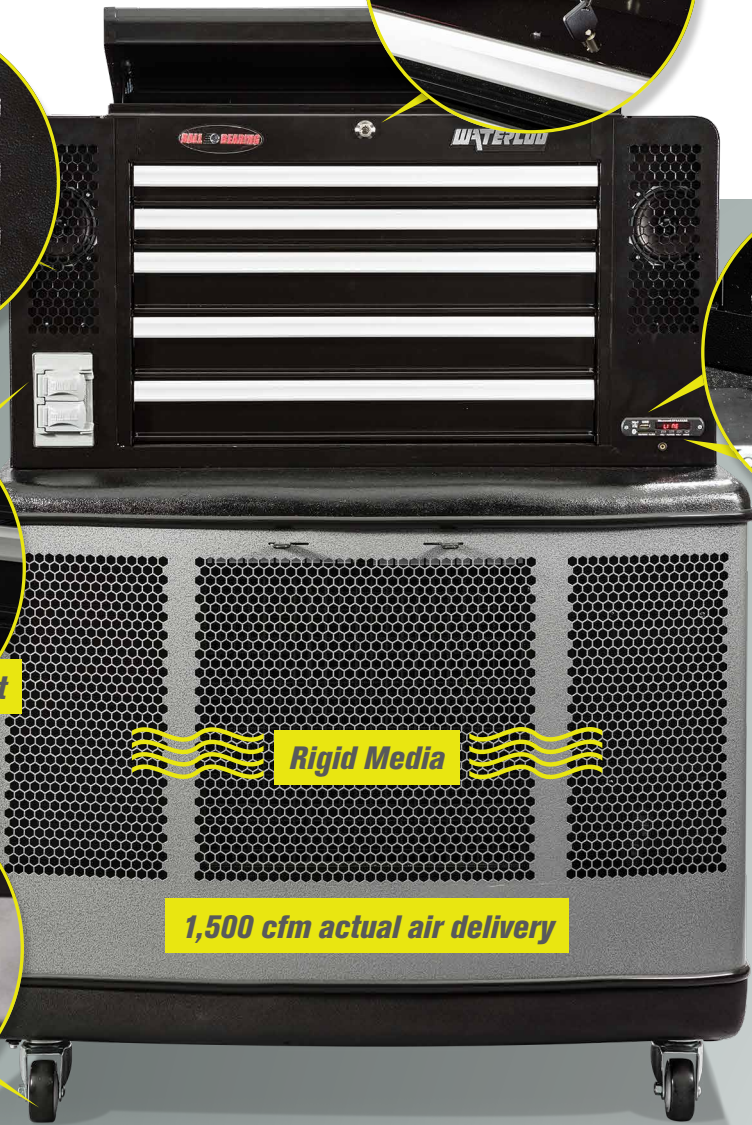
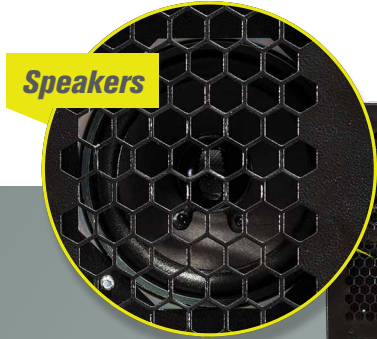
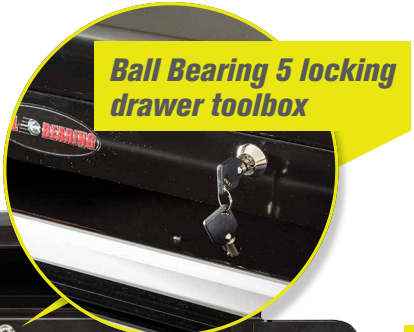
built and comes ready to operate right out of the box. Heavy duty casters give it mobility for hassle free spot cooling where ever you need it.

This unit includes a convenience outlet for charging any tool or phone on the spot. Not only does the unit

keep you cool, store your tools, and provide a plug in, it also can rock your world with sound. The stereo is MP3 compatible with both blue tooth compatibility and FM radio. Or for your own music it has a USB port.



Shop Blaster



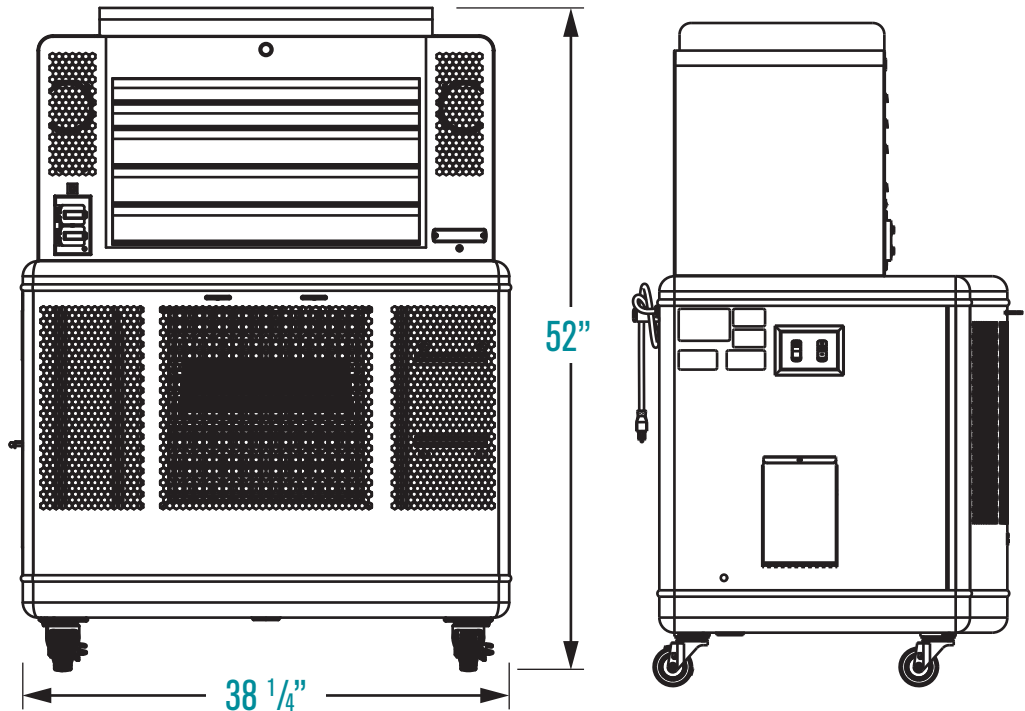
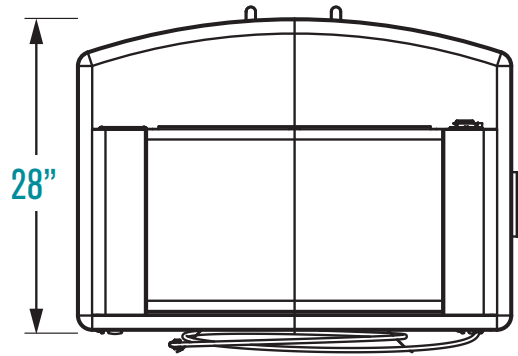
Whatever the application, the *Shop Blaster workstation* will store and organize your tools while keeping you cool, comfortable and productive.



If you're looking for a heavy-duty, industrial grade workstation that will stand up to your toughest use, check out the new professional **Shop Blaster**. It's designed for discriminating professionals who need high-quality tool storage or the DIY'er who desires the best tool storage or cooling unit that money can buy.

This unique product consists of:

- A 5 drawer Waterloo® tool box
- Locking drawers with 50lb ball bearing drawer slides
- 2 rocking speakers
- FM radio
- Bluetooth capability
- MP3 compatibility
- Lit display
- USB plug in
- UL listing
- 120 V. convenience outlet AND A powerful evaporative air cooler with
- 1/2 HP, 2 speed motor with 3 yr. warranty
- Heavy duty casters for mobility
- 1,500 actual cfm air delivery
- Directional airflow louvers
- 72" Power cord
- Appliance type paint finish
- Rigid Media for high efficiency cooling
- Garden hose adapter included
- 5 gallon water reservoir.



Shop Blaster				UL LISTED	U.L. Listed
MEDIA TYPE	H.P.	VOLT	SPEEDS	SHIP WEIGHT	
Rigid	1/2 HP	120 v	2 SPD	272 lbs	



Phoenix Manufacturing Inc.

3655 East Roeser Road
Phoenix, Arizona 85040

Tel: (602) 437-1034
Fax: (602) 437-4833



SBAC15_V00