

SIDE DISCHARGE PARTS ILLUSTRATION

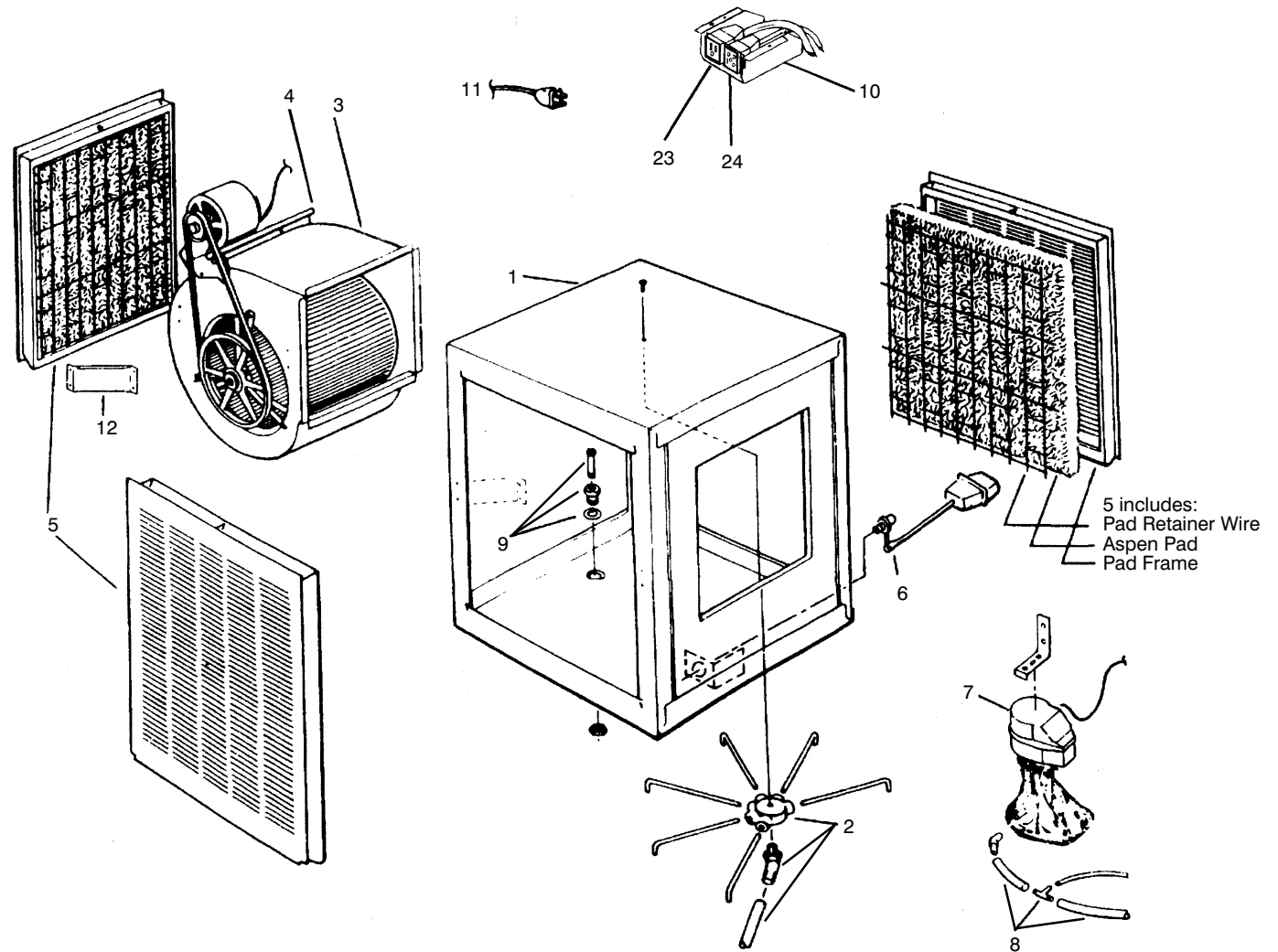
DESCARGA LATERAL ILUSTRACION DE PARTES

ITEM # / DESCRIPTION

1. Cabinet (NOT AVAIL.)
2. Water Distributor Assy.
3. Blower Assembly Comp
4. Adjustable Motor Mount
5. Pad Frame Assy. Comp
6. Float Valve
7. Recirculating Pump
8. Bleed-off Kit
9. Overflow Standpipe Assy.
10. Junction Box
11. Motor Cord Male
12. Blower Housing Support
13. Motor Mounting Straps
14. Motor Sheave
15. Blower Belt
16. Motor
17. Blower Pulley
18. Bearing Assembly
19. Leather Washer
20. Delrin Spacers (PAIR)
21. Shaft
22. Blower Wheel
23. Female Pump Cord
24. Female Motor Cord

ARTICULO # / DESCRIPCION

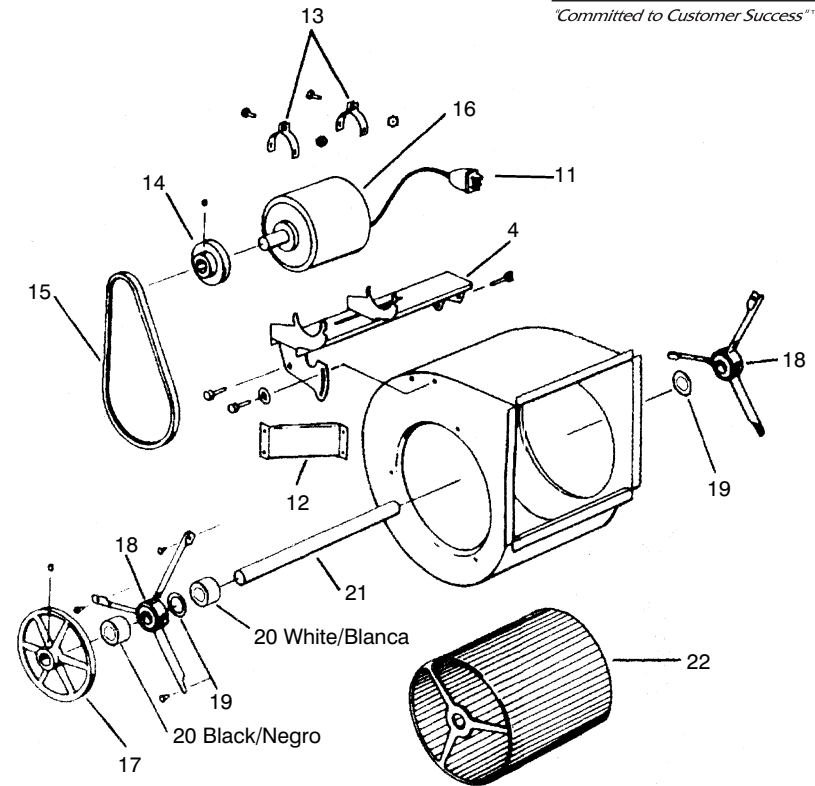
1. Gabinete (NO DISPONIBLE)
2. Dist. de agua
3. Soplador ensamble
4. Motor montadura ajustable
5. Filtro ensamble
6. Valvula flotador
7. Bomba
8. Juego de sangría
9. Rebosadero y drenaje
10. Caja de empalme
11. Motor cable macho
12. Soplador soporte
13. Abrazaderas motor
14. Polea motor
15. Banda
16. Motor
17. Polea soplador
18. Ensamble chumascera
19. Arandela de cuero
20. Espaciador Delrin (PAR)
21. Eje
22. Turbina
23. Cordón bomba hembra
24. Motor cable hembra



SIDE DISCHARGE - REPLACEMENT PARTS LIST

DESCARGA LATERAL - ILUSTRACION DE PARTES

| ITEM # / DESCRIPTION | HM/X 3300B | HM/X 4400B 4800B | HM/X 5800B 6800B | FS 350A | FS 450A | FS 650A |
|------------------------------------|---------------|------------------------|------------------------|------------|------------|------------|
| 1. Cabinet (NOT AVAIL.) | ---- | ---- | ---- | ---- | ---- | ---- |
| 2. Water Distributor Assy. | 5-6-192 | 5-6-190 | 5-6-189 | 5-6-192 | 5-6-190 | 5-6-197 |
| 3. Blower Assembly Comp | 5-3-44 | 5-3-46 | 5-3-48 | 5-3-44 | 5-3-46 | 5-3-48 |
| 4. Adjustable Motor Mount | 5-3-87 | 5-3-85 | 5-3-86 | 5-3-87 | 5-3-85 | 5-3-86 |
| 5. Pad Frame Assy. Comp | 5-2-3A | 5-2-4A | 5-2-5A | 5-2-8A | 5-2-10A | 5-2-11A |
| 6. Float Valve | 5-6-1 | 5-6-1 | 5-6-1 | 5-6-1 | 5-6-1 | 5-6-1 |
| 7. Recirculating Pump | SEE BELOW | | | | | |
| 8. Bleed-off Kit | 5-6-3 | 5-6-3 | 5-6-3 | 5-6-3 | 5-6-3 | 5-6-3 |
| 9. Overflow Standpipe Assy. | 5-6-5 | 5-6-5 | 5-6-5 | 5-6-5 | 5-6-5 | 5-6-5 |
| 10. Junction Box | 3-7-120 | 3-7-120 | 3-7-120 | 3-7-120 | 3-7-120 | 3-7-120 |
| 11. Motor Cord Male | SEE BELOW | | | | | |
| 12. Blower Housing Support | 5-3-141 | 5-3-145 | 5-3-145 | 5-3-142 | 5-3-146 | 5-3-148 |
| 13. Motor Mounting Straps | 5-7-28 | 5-7-28 | 5-7-28 | 5-7-28 | 5-7-28 | 5-7-28 |
| 14. Motor Sheave | SEE BELOW | | | | | |
| 15. Blower Belt | 5-3-17 | 5-3-19 | 5-3-24 | 5-3-17 | 5-3-19 | 5-3-24 |
| 16. Motor | SEE BELOW | | | | | |
| 17. Blower Pulley | 5-3-59 | 5-3-58 | 5-3-60 | 5-3-59 | 5-3-58 | 5-3-60 |
| 18. Bearing Assembly | 5-3-37 | 5-3-38 | 5-3-39 | 5-3-37 | 5-3-38 | 5-3-39 |
| 19. Leather Washer | ---- | 5-3-8 | 5-3-8 | ---- | 5-3-8 | 5-3-8 |
| 20. Delrin Spacers (PAIR) | 5-3-82 | ---- | ---- | 5-3-82 | ---- | ---- |
| 21. Shaft | 5-3-1 | 5-3-2 | 5-3-3 | 5-3-1 | 5-3-2 | 5-3-3 |
| 22. Blower Wheel | 5-3-34 | 5-3-35 | 5-3-36 | 5-3-34 | 5-3-35 | 5-3-36 |
| 23. Female Pump Cord | SEE BELOW | | | | | |
| 24. Female Motor Cord | 5-7-5 | 5-7-5 | 5-7-5 | 5-7-5 | 5-7-5 | 5-7-5 |



| BARE MOTOR KITS SIDE DISCHARGE | HM/X 3300B | HM/X 4400B | HM/X 4800B | HM/X 5800B | HM/X 6800B | FS 350A | FS 450A | FS 450A | FS 650A | FS 650A |
|-----------------------------------|---------------|---------------|---------------|---------------|---------------|------------|------------|------------|------------|------------|
| 16. Motor, Horsepower | 1/3 | 1/3 | 1/2 | 1/2 | 3/4 | 1/3 | 1/3 | 1/2 | 1/2 | 3/4 |
| 1 SPEED 115V | 5-7-39 | 5-7-39 | 5-7-41 | 5-7-41 | 5-7-45 | 5-7-39 | 5-7-39 | 5-7-41 | 5-7-41 | 5-7-45 |
| 2 SPEED 115V | 5-7-40 | 5-7-40 | 5-7-42 | 5-7-42 | 5-7-46 | 5-7-40 | 5-7-40 | 5-7-42 | 5-7-42 | 5-7-46 |
| 1 SPEED 230V | ---- | ---- | 5-7-43 | 5-7-43 | 5-7-47 | ---- | ---- | 5-7-43 | 5-7-43 | 5-7-47 |
| 2 SPEED 230V | ---- | ---- | 5-7-44 | 5-7-44 | 5-7-48 | ---- | ---- | 5-7-44 | 5-7-44 | 5-7-48 |
| 14. Motor Sheave | 5-3-66 | 5-3-66 | 5-3-66 | 5-3-66 | 5-3-129 | 5-3-66 | 5-3-66 | 5-3-66 | 5-3-66 | 5-3-129 |

| | |
|-----------------------------|--------|
| 11. Motor Cord, Male | |
| 115v | 5-7-58 |
| 230v | 5-7-57 |

| | |
|------------------------------|--------|
| 7. Recirculating Pump | |
| 115v | 5-6-34 |
| 230v | 5-6-44 |

| | |
|-----------------------------|--------|
| 23. Female Pump Cord | |
| 115v | 5-7-6 |
| 230v | 5-7-59 |