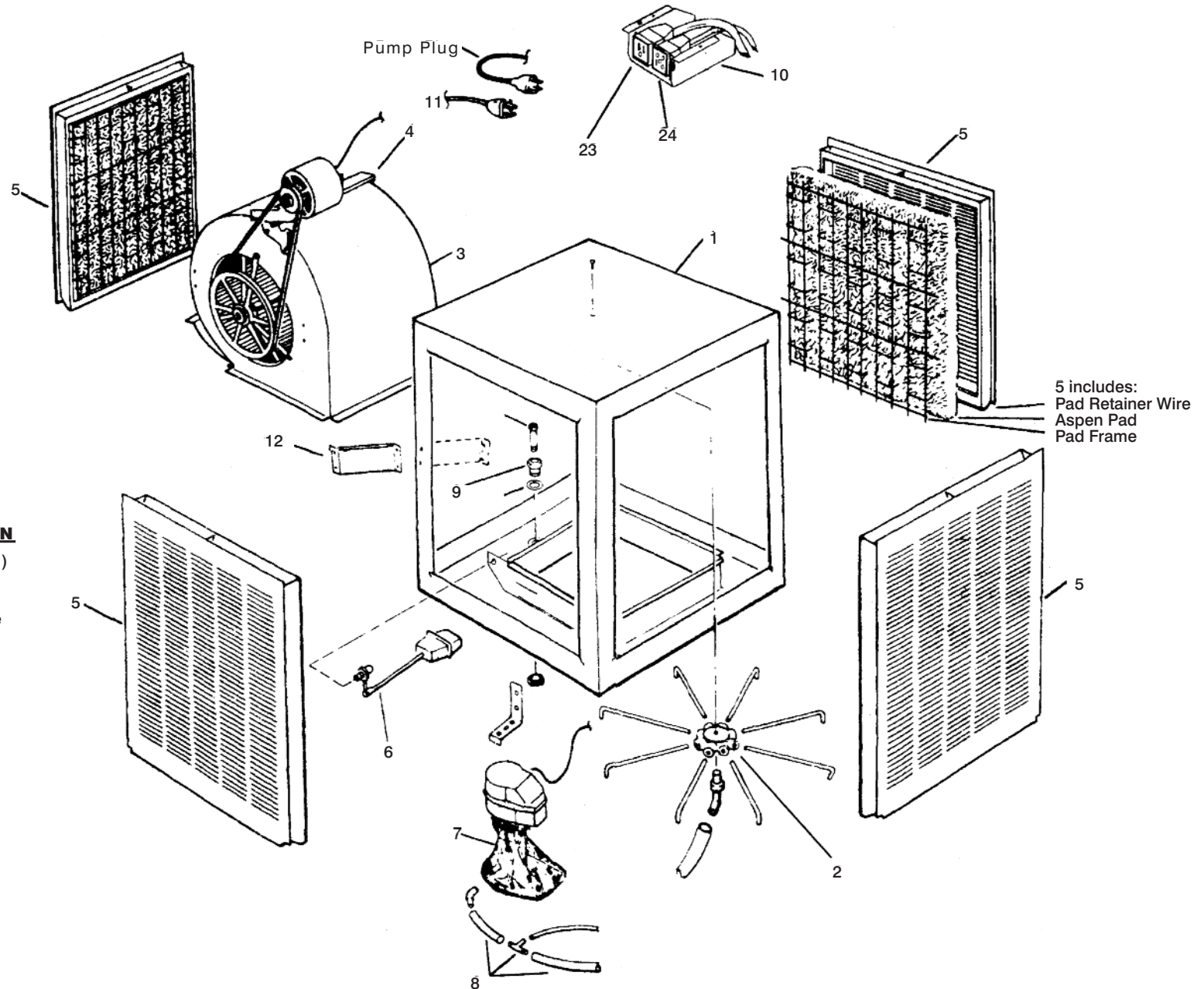


DOWN DISCHARGE PARTS ILLUSTRATION

DESCARGA ABAJO ILUSTACION DE PARTES

ITEM # / DESCRIPTION

1. Cabinet (NOT AVAIL.)
2. Water Distributor Assy.
3. Blower Assembly Comp
4. Adjustable Motor Mount
5. Pad Frame Assy. Comp
6. Float Valve
7. Recirculating Pump
8. Bleed-off Kit
9. Overflow Standpipe assy.
10. Junction Box
11. Motor Cord Male
12. Blower Housing Support
13. Motor Mounting Straps
14. Motor Sheave
15. Blower Belt
16. Motor
17. Blower Pulley
18. Bearing Assembly
19. Leather Washer
20. Delrin Spacers (PAIR)
21. Shaft
22. Blower Wheel
23. Pump Cord. Female
24. Motor Cord. Female



ARTICULO # / DESCRIPCION

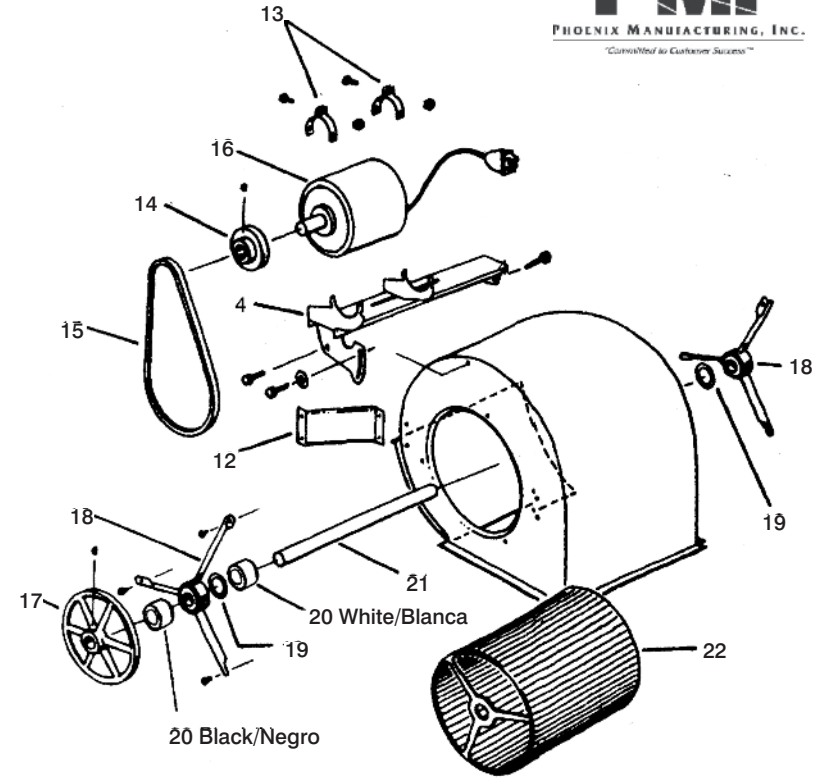
1. Gabinete (NO DISPONIBLE)
2. Dist. de agua
3. Soplador ensamble
4. Motor montadura ajustable
5. Filtro ensamble
6. Valvula flotador
7. Bomba
8. Juego de sangria
9. Rebosadero y drenaje
10. Caja de empalme
11. Motor cable macho
12. Spaldor soporte
13. Abrazaderas motor
14. Polea motor
15. Banda
16. Motor
17. Polea soplador
18. Ensamble Chumasera
19. Arandela de cuero
20. Espaciador Delrin (PAR)
21. Eje
22. Turbina
23. Cordón bomba hembra
24. Motor cable hembra

DOWN DISCHARGE - REPLACEMENT PARTS LIST

DESCARGA ABAJO - ILUSTRACION DE PARTES



ITEM # / DESCRIPTION	DM 3300B	DM 4800B	DM 6800B	FD 350A	FD 450A	FD 650A
1. Cabinet (NOT AVAIL.)	----	----	----	----	----	----
2. Water Distributor Assy.	5-6-181	5-6-194	5-6-194	5-6-181	5-6-194	5-6-194
3. Blower Assembly Comp	5-3-43	5-3-45	5-3-47	5-3-43	5-3-45	5-3-47
4. Adjustable Motor Mount	5-3-87	5-3-85	5-3-86	5-3-87	5-3-85	5-3-86
5. Pad Frame Assy. Comp	5-2-3A	5-2-4A	5-2-5A	5-2-8A	5-2-10A	5-2-11A
6. Float Valve	5-6-1	5-6-1	5-6-1	5-6-1	5-6-1	5-6-1
7. Recirculating Pump	-----	-----	SEE BELOW	-----	-----	-----
8. Bleed-off Kit	5-6-3	5-6-3	5-6-3	5-6-3	5-6-3	5-6-3
9. Overflow Standpipe Assy.	5-6-5	5-6-5	5-6-5	5-6-5	5-6-5	5-6-5
10. Junction Box	3-7-120	3-7-120	3-7-120	3-7-120	3-7-120	3-7-120
11. Motor Cord Male	-----	-----	SEE BELOW	-----	-----	-----
12. Blower Housing Support	5-6-139	5-6-143	5-6-147	5-6-140	5-6-144	5-6-144
13. Motor Mounting Straps	5-7-28	5-7-28	5-7-28	5-7-28	5-7-28	5-7-28
14. Motor Sheave	-----	-----	SEE BELOW	-----	-----	-----
15. Blower Belt	5-3-17	5-3-18	5-3-24	5-3-17	5-3-18	5-3-24
16. Motor	-----	-----	SEE BELOW	-----	-----	-----
17. Blower Pulley	5-3-59	5-3-58	5-3-60	5-3-59	5-3-58	5-3-60
18. Bearing Assembly	5-3-37	5-3-38	5-3-39	5-3-37	5-3-38	5-3-39
19. Leather Washer	----	5-3-8	5-3-8	----	5-3-8	5-3-8
20. Delrin Spacers (PAIR)	5-3-82	----	----	5-3-82	----	----
21. Shaft	5-3-1	5-3-2	5-3-3	5-3-1	5-3-2	5-3-3
22. Blower Wheel	5-3-34	5-3-35	5-3-36	5-3-34	5-3-35	5-3-36
23. Female Pump Cord	-----	-----	SEE BELOW	-----	-----	-----
24. Female Motor Cord	5-7-5	5-7-5	5-7-5	5-7-5	5-7-5	5-7-5



BARE MOTOR KITS SIDE DISCHARGE	DM/X 3300B	DM/X 4800B	DM/X 4800B	DM/X 6800B	DM/X 6800B	FD 350A	FD 450A	FD 450A	FD 650A	FD 650A
16. Motor, Horsepower	1/3	1/3	1/2	1/2	3/4	1/3	1/3	1/2	1/2	3/4
1 SPEED 115V	5-7-39	5-7-39	5-7-41	5-7-41	5-7-45	5-7-39	5-7-39	5-7-41	5-7-41	5-7-45
2 SPEED 115V	5-7-40	5-7-40	5-7-42	5-7-42	5-7-46	5-7-40	5-7-40	5-7-42	5-7-42	5-7-42
1 SPEED 230V	----	----	5-7-43	5-7-43	5-7-47	----	----	5-7-43	5-7-43	5-7-47
2 SPEED 230V	----	----	5-7-44	5-7-44	5-7-48	----	----	5-7-44	5-7-44	5-7-48
14. Motor Sheave	5-3-66	5-3-66	5-3-10	5-3-10	5-3-11	5-3-66	5-3-66	5-3-10	5-3-10	5-3-11

* Zinc Sheaves

11. Motor Cord, Male
115V 5-7-58
230V 5-7-57

7. Recirculating Pump
115V 5-6-34
230V 5-6-44

23. Pump Cord, Female
115V 5-7-6
230V 5-7-59